



**FULL RANGE
SPEAKERS**

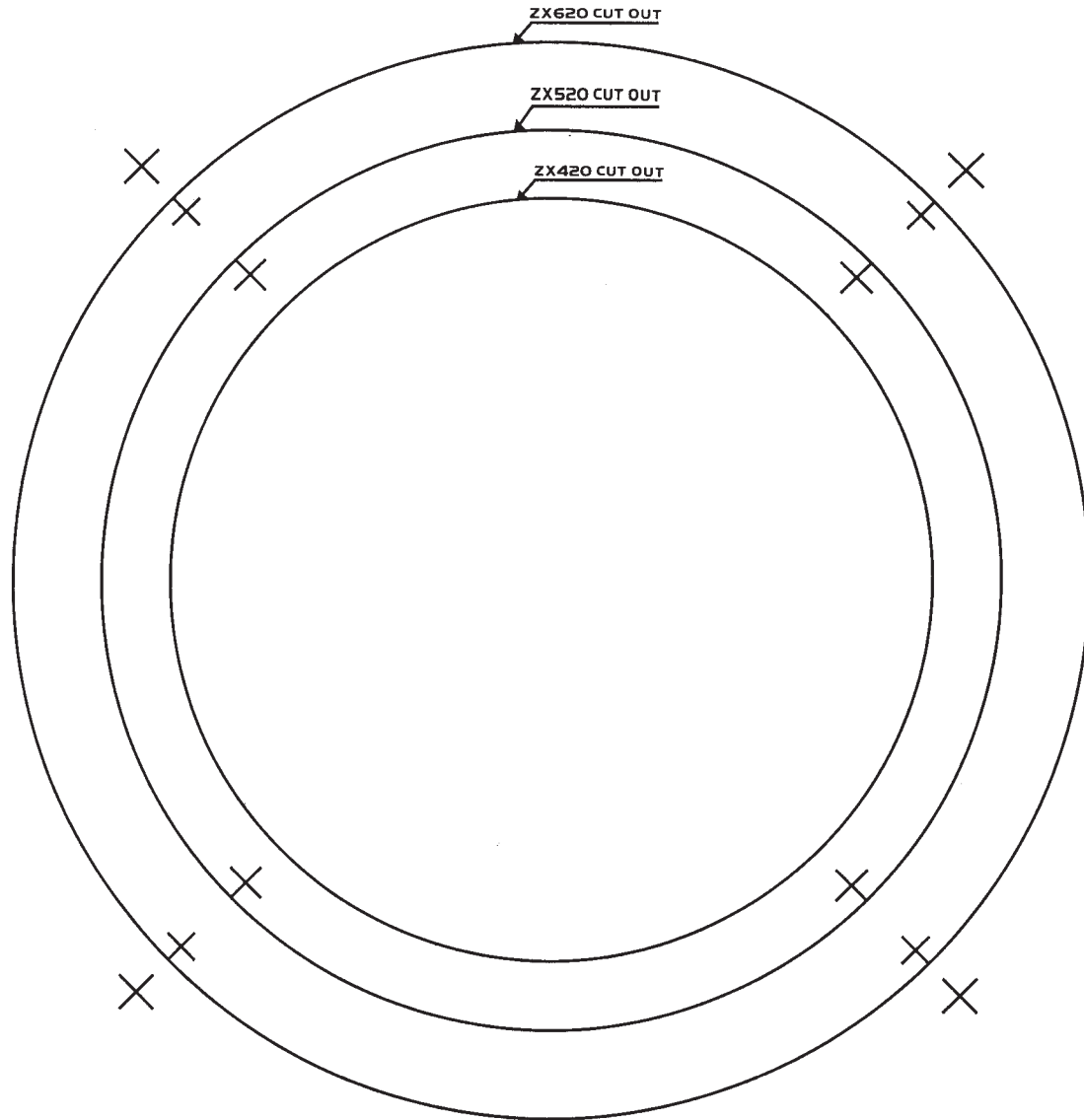
- ZX420
- ZX462
- ZX520
- ZX572
- ZX620
- ZX693

INSTALLATION MANUAL



TEMPLATES

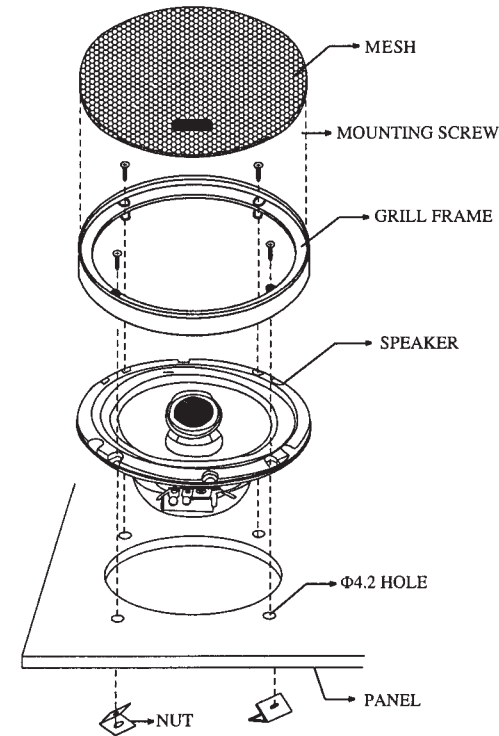
(FOR ZX420 , ZX520 , ZX620)



5

SPEAKERS INSTALLATION INSTRUCTIONS

(FOR ZX420 , ZX462 , ZX520 , ZX572 , ZX620 , ZX693)



1. Using mounting template for speaker, mark the correct mounting location by a pencil or pen.

2. Cut out the panel by this marking and drill 4 holes for the mounting bolts to pass through.

3. Separate the punching metal from the grill frame.

4. Connect the terminal of the speaker to car audio correctly by using cord provided. Caution: Be careful not to misconnect polarity.

5. Insert grill frame & speaker unit in the speaker mounting hole at the rear panel and fix speaker with bolts & screws & nuts provided.

6. Put the punching metal back with the grill frame.

2

Thank you for purchasing a **Logic soundlab** speaker system. Engineered in the USA, Logic soundlab offers innovative products that are on the cutting edge of design and performance.

If you have any question about the installation or operation of your **Logic soundlab** speaker system which are not answered by this manual, contact your dealer in the first instance.

Precautions

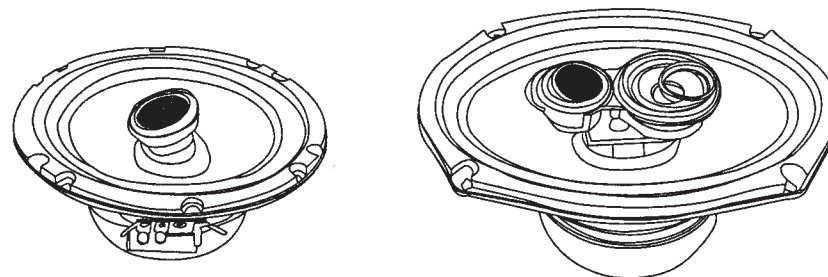
- Before making holes, check the mounting space with supplied template
- To prevent noise pick-up, keep the wiring of this unit away from motors, high-voltage leads and other possible noise, surge.
- To prevent short-circuit, keep all wiring away from moving parts sharp edges.
- Make sure you have carefully read and understood the installation instruction.

Tools required

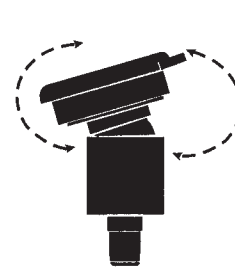
These are the tools required to complete the basic installation of the **Logic soundlab** full range speaker system. Additional tools are necessary for more custom work unit.

1. Electric drill with bit
2. Philips screwdriver
3. Flat blade screwdriver
4. Wire Strippers
5. Crimping tool
6. Saber saw, hole saw, or nibbler
7. Utility knife
8. Silicon sealant or weather stripping (optional)
9. Electrical tape

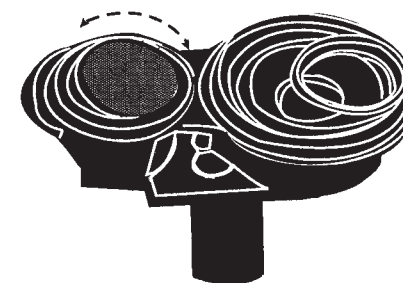
SWIVEL NEODYMIUM DOME TWEETER (FOR ZX420, ZX462, ZX520, ZX572, ZX620, ZX693)



POLYIMIDE NEODYMIUM SWIVEL DOME TWEETER WITH FULL 180 DEGREE ROTATION FOR THE MOST ACCURATE HIGH FREQUENCY ALIGNMENT AND LINEARITY.



2-WAY SPEAKER

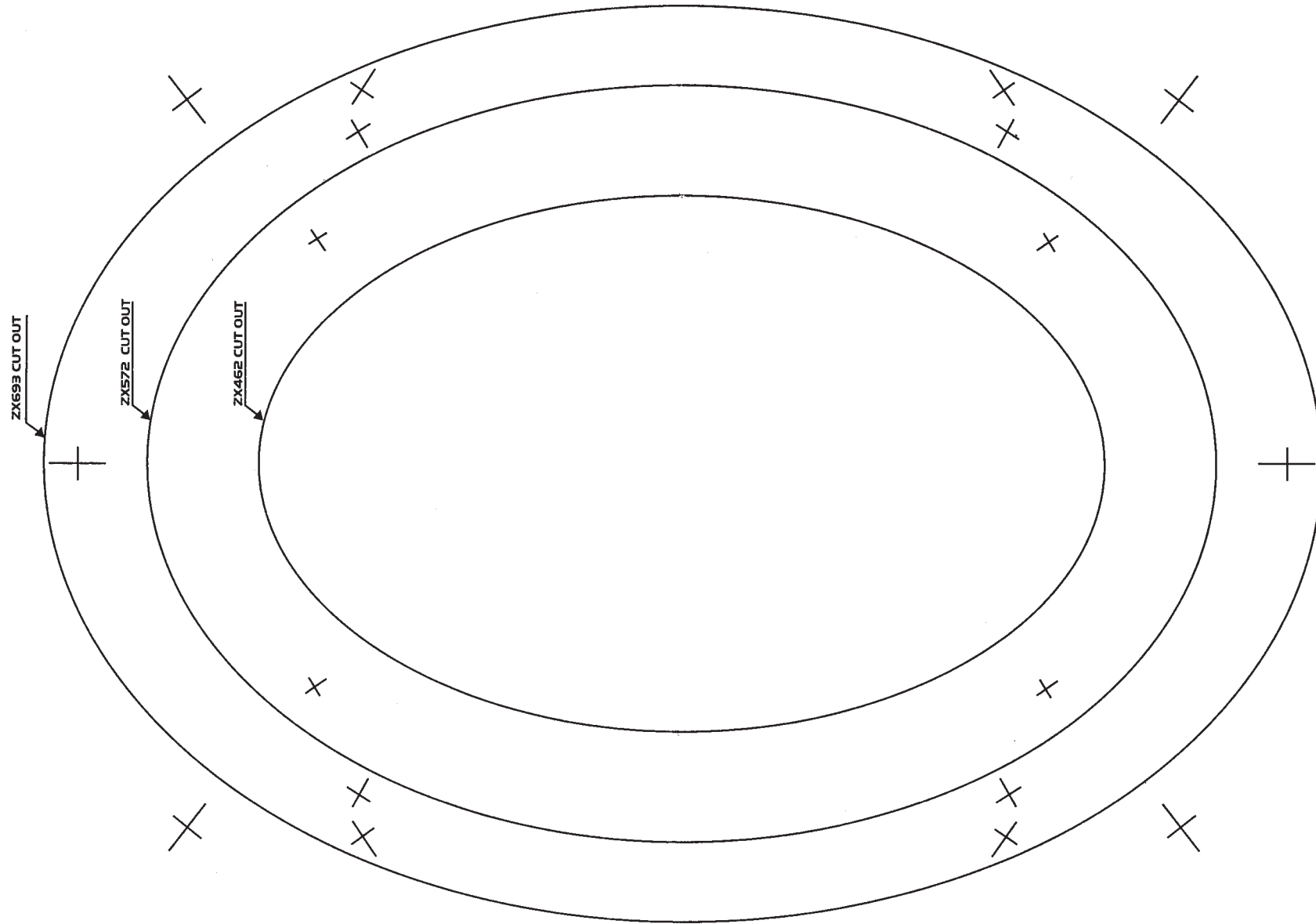


3-WAY SPEAKER

SWIVEL TWEETER CONFIGURATION

TEMPLATES

(FOR ZX462,ZX572,ZX693)



3

4